



Zippering Tools

The Miniflex Zipper Tool has been designed to allow slit Optical Fibre Protection Tube (OFPT) to be zipped onto an already terminated cable or patch cord or where cable has already been installed. It allows retro-fitting to sections of cable that need bend radius control or physical protection. In addition to the hand held tool there is an automated bench machine for use in volume applications such as the automotive market (see inset image above).

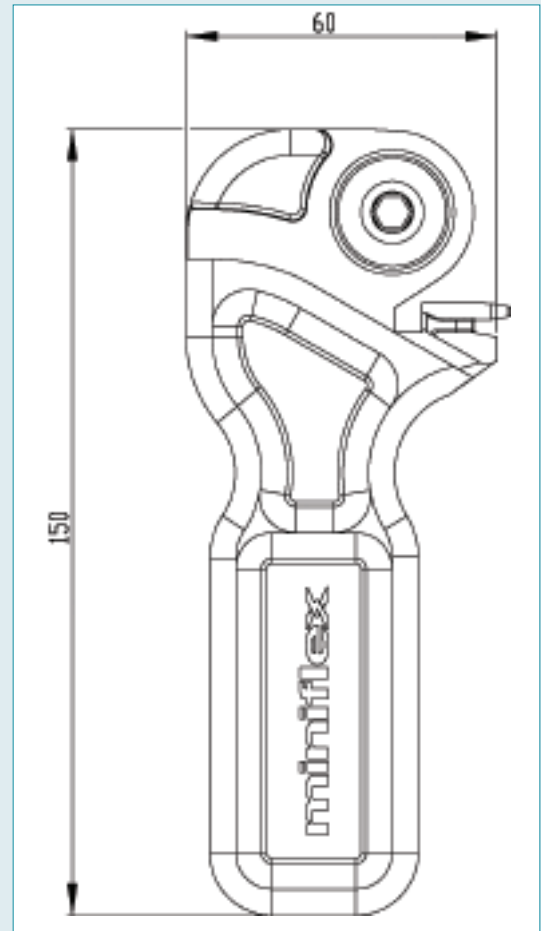
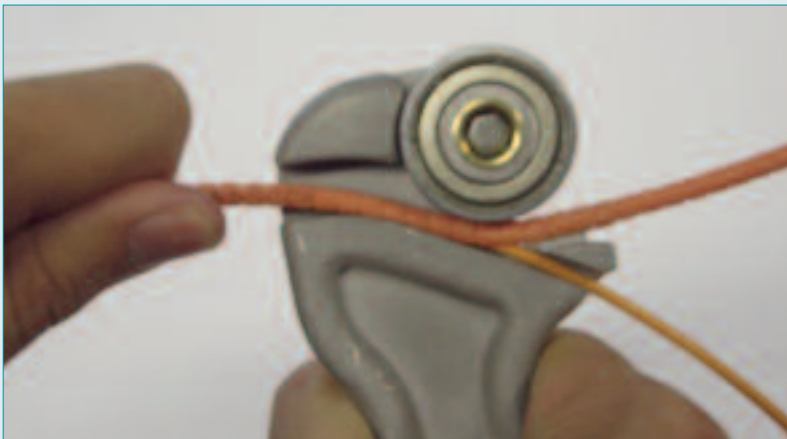
These tools allow the cable to be protected without the need to re-terminate and re-test the connectors. This is ideally suited for end user applications where termination has already been completed or in environments where self-termination is not possible.

Application

Miniflex Zipping Tools are used for adding protection to existing terminated fibre optic cables.

Example scenarios would include an industrial area where existing cables and patch cords need additional protection in the actual work area; or an automobile cable harness that has fibre (POF) for its infotainment systems. These cables come pre-terminated, yet the implementation environment requires them to be further protected.

For instructions on using the hand held Zipper Tool see the leaflet '[Using the Handheld Zipper Tool](#)'.



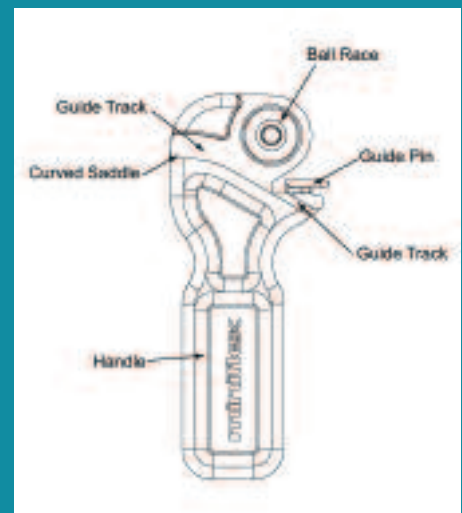
All dimensions in mm

Features & Benefits

- Slim line design - easily portable
- Manufactured from hard, durable cast aluminium
- Single person operation
- Allows easy retrofit of OFPT to existing installations

Ordering Information

Part No.	Description
ZIPT-4.0-R-ALY-SLV	Ø4 OFPT ZIP-ON ROLLER HAND TOOL
ZIPT-5.0-R-ALY-SLV	Ø5 OFPT ZIP-ON ROLLER HAND TOOL
ZIPT-6.35-R-ALY-SLV	Ø6.35 OFPT ZIP-ON ROLLER HAND TOOL
ZIPT-8.0-R-ALY-SLV	Ø8 OFPT ZIP-ON ROLLER HAND TOOL



T: +44 (0) 1728 726600

E: enquiries@miniflex.co.uk

W: www.miniflex.co.uk

miniflex[®]
OPTICAL FIBRE PROTECTION SYSTEMS