

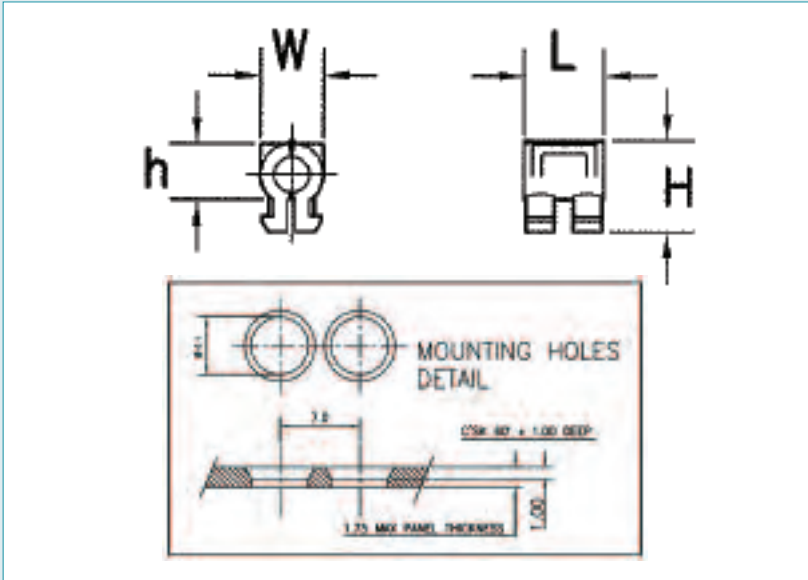
Tube Gripper Saddle

The Miniflex Tube Gripper Saddle (TGS) is used to anchor 5mm Optical Fibre Protection Tubing (OFPT) to a chassis or splice tray with two (2) pre-drilled holes into which the TGS snaps into place. The TGS is designed with non-returning clips to prevent the assembly from working loose at a later stage.

The saddle is placed over the OFPT and closed down to engage on the external grooves of the tube so gripping it. No threading is required. Secure fixing is completed by pressing the retaining feet through location holes.

Application

Commonly used in Miniflex Splice Trays or printed circuit boards to provide an anchor point for 5mm OFPT.



Features & Benefits

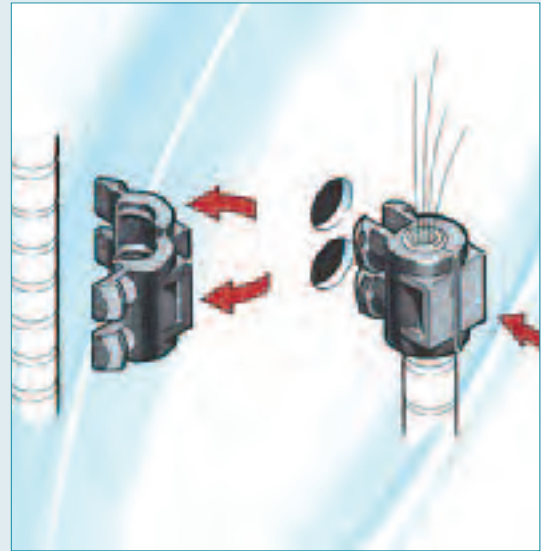
- Mid point or end termination of 5mm OFPT
- Maintains 30mm bend radius through angles of $\pm 90^\circ$
- Neat and unobtrusive
- Provides secure fixing
- Easy to locate and use

Ordering Information

TGS are supplied in bags of 100.

Part No.	L	W	H	h
TGS-5.0-TPE-BLK	10	6.5	10	6.1

All dimensions in mm



Key Data

- Material: TPE
- Colour: Black
- OFPT retention: > 100 N

T: +44 (0) 1728 726600

E: enquiries@miniflex.co.uk

W: www.miniflex.co.uk

miniflex[®]
OPTICAL FIBRE PROTECTION SYSTEMS