

Strain Relief Gland and Bend Relief Gland

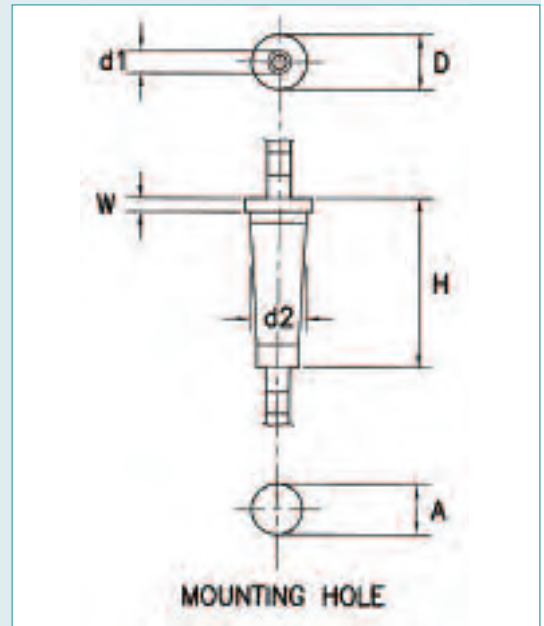
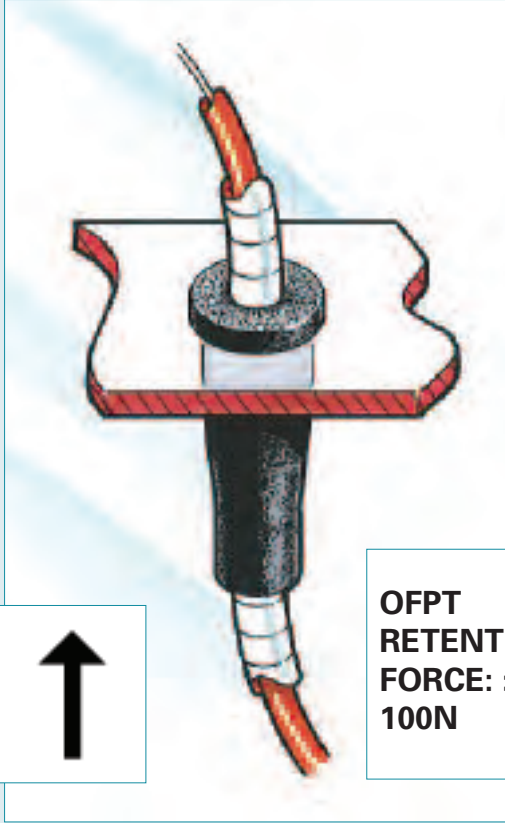
The Miniflex Strain Relief Gland (SRG) enables ruggedized patch cords or fibre bundles, protected with Miniflex 5mm OFPT (Optical Fibre Protection Tube) to be anchored to a chassis, or distribution trunking system, by the simple provision of a single hole.

The OFPT is passed through the gland and is secured by the integral Tube Gripper Clip. This ensures a pull out resistance of over 100N whilst still ensuring a 30mm radius bend control and crush protection over a range of $\pm 90^\circ$ pulling angle.

The Miniflex Bend Relief Gland (BRG) offers the same bending protection but has no anchoring facility for tension transfer.

Application

Mainly used for protecting fibre bundles in 5mm OFPT through bulkhead installations. The soft PVC material cushions the OFPT to prevent any damage from hard edges or rough holes and allows pulling angles up to 90°.



Key Data

H	W	D	d1	d2	A
37	3	Ø15	Ø5	Ø12	Ø11
37	3	Ø15	Ø5	Ø12	Ø11

- Material: PVC
- Colour: Black
- OFPT retention force: > 100 N

Features & Benefits

- Mid point or end termination of 5mm OFPT
- Maintains 30mm bend radius through angles of $\pm 90^\circ$
- Neat and unobtrusive
- Provides secure fixing
- Easy to locate and use

Ordering Information

SRG are supplied in bags of 100.

Part No.	Description
SRG-5.0-PVC-BLK	Strain Relief Gland
BRG-5.0-PVC-BLK	Bend Relief Gland

All dimensions in mm - see dimensional drawing above

T: +44 (0) 1728 726600

E: enquiries@miniflex.co.uk

W: www.miniflex.co.uk

miniflex[®]
OPTICAL FIBRE PROTECTION SYSTEMS