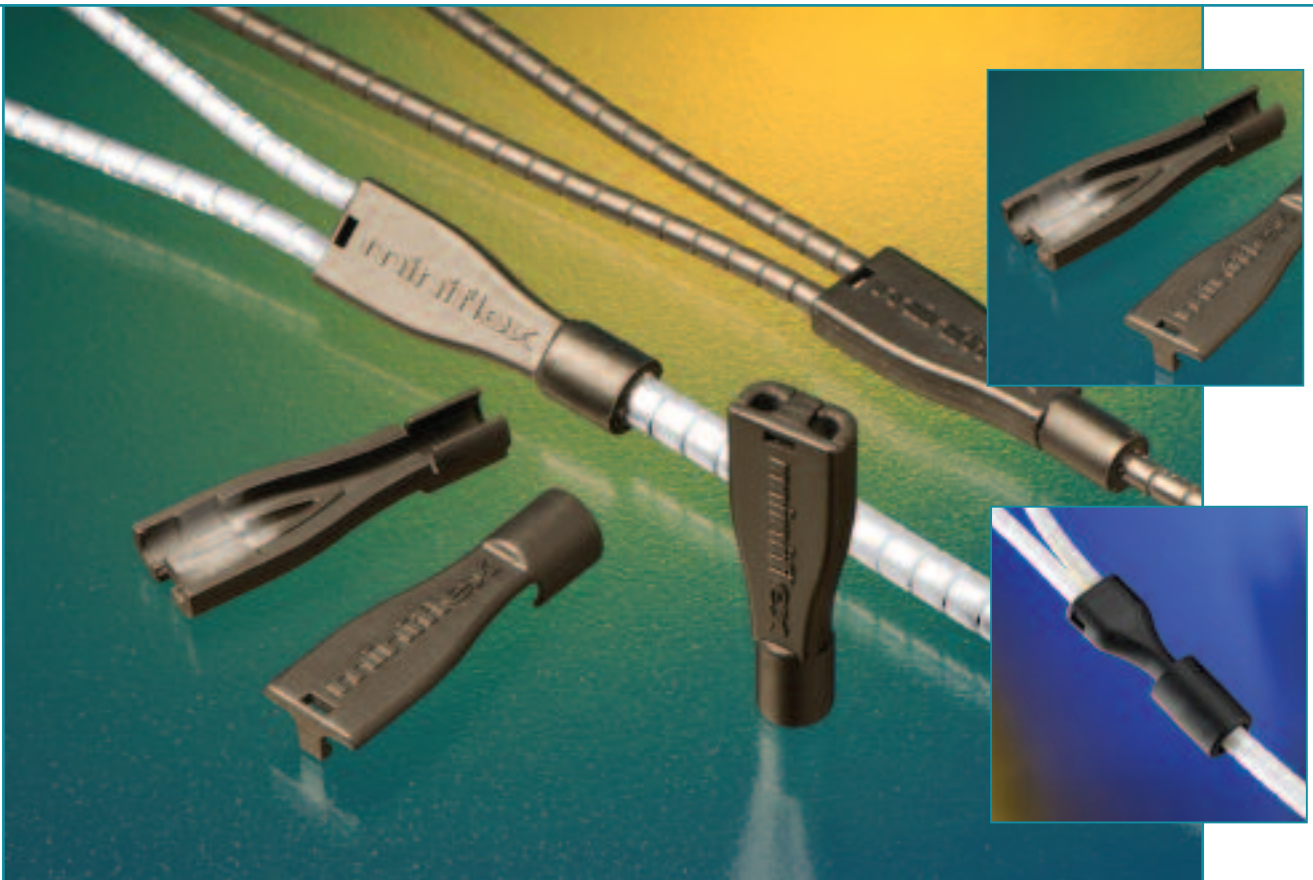


Manifolds



Duplexer

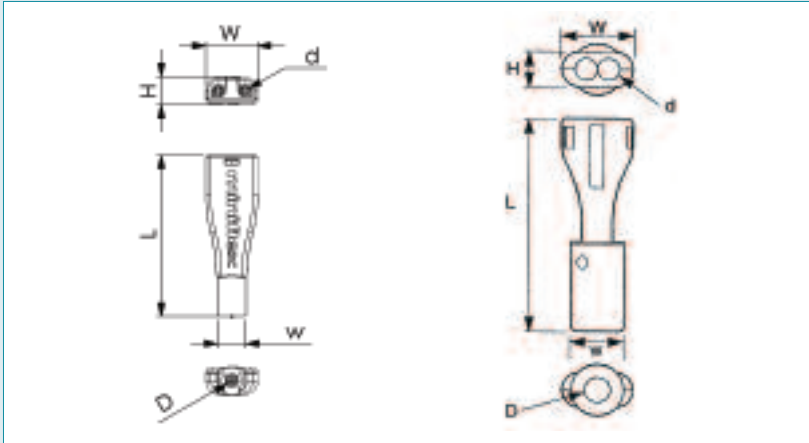
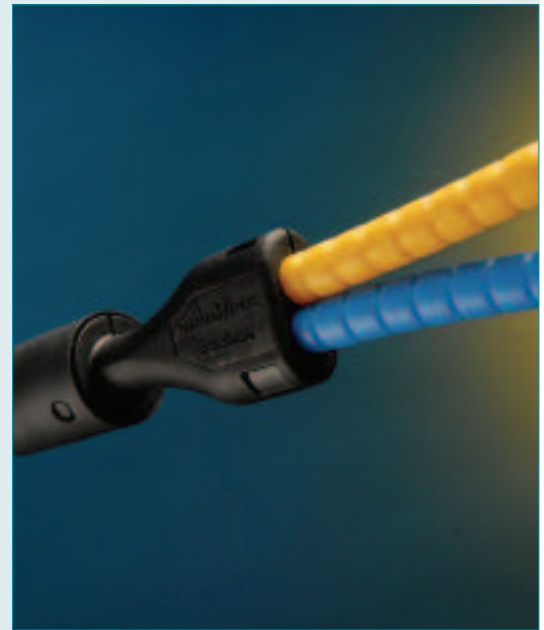
The Miniflex Duplexer range enables small multi-fibre cables to be divided into two circuits that are securely protected. Full radius control and crush protection is provided by the 3mm or 5mm Optical Fibre Protection Tubing (OFPT) at the output ports.

The Duplexer features fibre lay-through design. Miniflex OFPT from 3 to 10mm OD can be used at the input port in addition to a variety of other cable types. A range of input adaptors is available to cater for the range of cable input options.

This Duplexer is a tough, rugged, compact and lightweight component that provides an effective, practical solution to the problem of breaking out from one into two circuits. In the particular case of duplex cables it allows splitting into two simplex rugged tails sheathed with either the 3mm or 5mm OFPT each terminated with a single connector. The construction of this assembly is such that it requires no crimping.

Application

Duplexers are used in conjunction with the Miniflex Optical Fibre Protection Tubing (OFPT) to break out cable into the duplex OFPT routing. Quick and versatile for Duplex Patch Cords and Pigtails and general circuit management with OFPT in racks, housings and other Fibre Network Infrastructure.



Features & Benefits

- Various sizes of input cable from 2.5 to 10.8mm external diameter and OFPT with OD from 3 to 10mm
- Withstands a pull out force in excess of 100N
- Tough, reinforced, flame retardant UL94 V0 material

Product Code	Input size OD	Adaptor Colour	Retaining Ring
DPX-3.0-3.0-BLK	3mm OFPT		
DPX-3.0-4.0-BLK	4mm OFPT		
DPX-3.0-5.0-BLK	5mm OFPT		
DPX-5.0-2.5-3.5-BLK	2.5 to 3.5	BLACK	SMALL BORE
DPX-5.0-3.0-4.0-BLK	3.0 to 4.0	BLUE	MED. BORE
DPX-5.0-4.1-5.0-BLK	4.1 to 5.0	BROWN	MED. BORE
DPX-5.0-5.1-6.0-BLK	5.1 to 6.0	GREEN	LARGE BORE
DPX-5.0-6.1-7.0-BLK	6.1 to 7.0	RED	LARGE BORE
DPX-5.0-7.1-8.5-BLK	7.1 to 8.5	BLK Rubber	LARGE BORE
DPX-5.0-8.5-10.8-BLK	8.5 to 10.8	BLK Rubber	XLARGE BORE
DPX-5.0-T-5-BLK	5mm OFPT	SPLIT BLK	MED. BORE
DPX-5.0-T-6-BLK	6mm OFPT	**SPLIT GREEN	LARGE BORE
DPX-5.0-T-6.35-BLK	6.35mm OFPT	SPLIT BLUE	LARGE BORE
DPX-5.0-T-8-BLK	8mm OFPT	BLK Rubber	LARGE BORE
DPX-5.0-T-10-BLK	10mm OFPT	BLK Rubber	XLARGE BORE
*DPX-5.0-DV- BLK	All Sizes	All Adapters	All Retain. Rings

* Development Kit containing all adapters

All dimensions in mm

**Under Development - Please check for availability

Key Data

Dimensions in mm

Product	L	W	w	H	D	d
	36	11.5	6.2	5.8	3.05	
3mm			7.2		4.05	3
			8.2		5.05	
					3.5	
5mm	49.2	16.2	13.2	8	5.8	5
					8.8	
					10.8	

Material

Flame retardant Nylon, RMS 19
[UL94 V0]

**This product is patented -
Patent Number 2292020**

T: +44 (0) 1728 726600

E: enquiries@miniflex.co.uk

W: www.miniflex.co.uk

miniflex®
OPTICAL FIBRE PROTECTION SYSTEMS