



Corner Cards

The Miniflex Corner Card offers the flexibility to manage fibre around corners of up to 90 degrees. Perfect bend radius is maintained by using Miniflex OFPT to carry the fibre through the pre-cut routing track within the Corner Card. The OFPT also provides protection against kinking and crushing when the Corner Card is closed around a corner. Utilising the integral hinge within the Corner Card, fibre is safely guided around an internal/external angle whilst maintaining minimum bend radius.

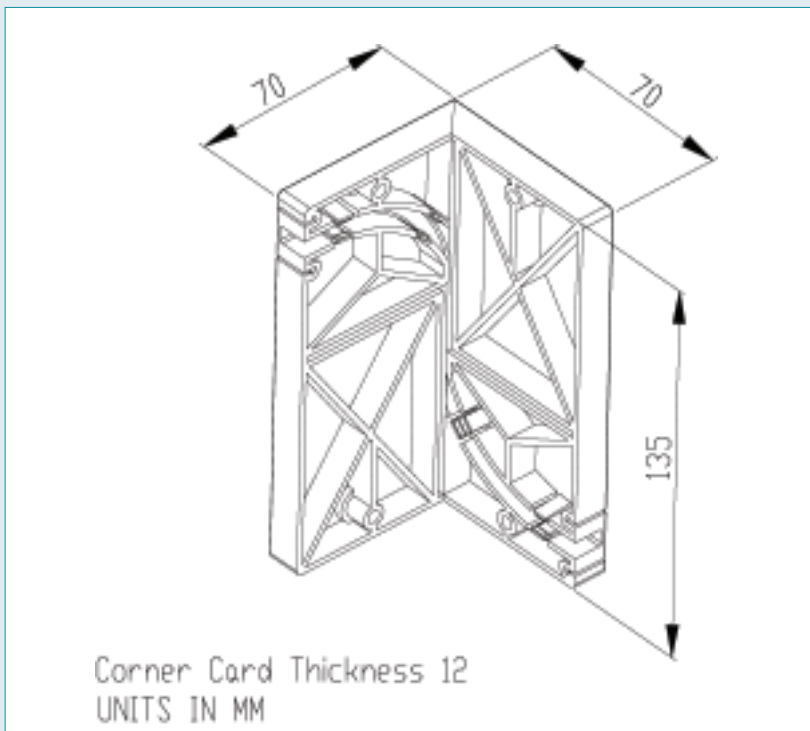
Miniflex offers two versions of Corner Card (small and large). The small version is also available with a profiled option. Each Corner Card caters for different applications, such as the aesthetic imperatives when installed in people's homes to route fibre.

The large Corner Card features a controlled routing track with retention clips and an industry standard mini-trunking interface at the input and output ports. When fibre is being installed by blowing, a radius of 50mm is maintained in the large version. The small version has a routing track that maintains a 30mm radius.

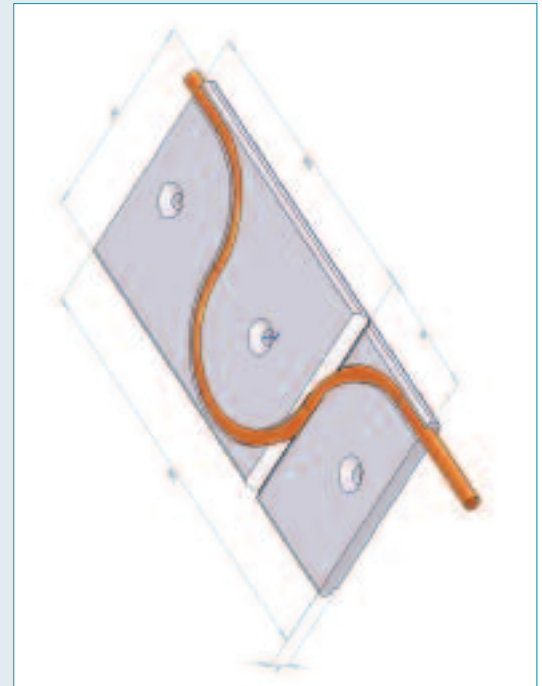
Applications

Suitable for managing fibre in buildings as part of a Fibre-to-the-Home (FTTH) installation, as well as difficult environments where the fibre routing and control must be pre-determined prior to the fibre being installed:

- Maritime (e.g.: Naval battle ships)
- Defence (Military vehicles)
- Fibre-to-the-Home (FTTH)
- Industrial Automation



Large Corner Card - routing maintains 50mm radius



Small Corner Card - routing track maintains 30mm radius

Key Data

Dimensions (mm):

Large card: 12 x 135 x 140

folding to 70 x 135

Small card: 6 x 70 x 150 folding to

45 x 105

Fire retardant, low smoke, zero halogen (LSZH) material

Left Hand and Right Hand versions available

A profile version of the small corner card is also available.

T: +44 (0) 1728 726600

E: enquiries@miniflex.co.uk

W: www.miniflex.co.uk

Features & Benefits

- Manages fibre around internal or external bends without compromising the bend radius
- Complete control of fibre cable horizontally and vertically
- Interfaces with industry standard mini-trunking at entry and exit
- Moulded hinge accommodates many angles
- Can hold one or two 5mm OFPT or one 6.35mm OFPT
- The small corner card can accept one 5mm OFPT

Ordering Information

Contact Miniflex for the latest ordering information

miniflex[®]
OPTICAL FIBRE PROTECTION SYSTEMS